

Parameters

Electrical Parameters:	
Working voltage	DC15~30V
Static power consumption	40mA/DC24V
Dynamic power consumption	55mA/DC24V
Output channel	Can switch four 0-10V dimming channels output to MOSFET tube dimming output
MOSFET tube output channel	0.5A
Protection	Connect a breaker in each channel
Environmental Conditions:	
Working Temperature	-5°C~45°C
Working Relative Humidity	Up to 90%
Storage Temperature	-20°C~+60°C
Storage Relative Humidity	Up to 93%
Approved	
CE	
RoHS	
Product Information:	
Dimensions	72×90×66 (mm)
Net weight	234.4g
Housing Material	Nylon, PC
Installation	35mm DIN rail installation
Protection rating	IP20
Installation position	Distribution box (DB)

Inner Bus Cable Guide

INNER BUS	HDL Bus/KNX	CAT5/CAT5E
DC24V	Black	Brown White/Orange White
COM	White	Blue White/Green White
DATA-	Yellow	Blue/Green
DATA+	Red	Brown/Orange

Important Notes

- Communication: Inner Bus communication;
- Inner Bus connection - Series connection (hand-in-hand);
- Check and ensure all connections are correct after installation;
- The dimming temperature should not exceed 50 °C.
- The current of each channel must not exceed the specific current ;
- Each channel needs to connect to a breaker or fuse for protection.

Overview



The **HDL-MHD04A.231** 4CH Universal Dimming Module is a multifunction control module. It can switch four 0-10V dimming channels output to MOSFET tube dimming output. By using with the intelligent lighting system, the dimming module can control the hotel rooms, home appliances, lights (includes fluorescents), air conditioners and curtains etc.

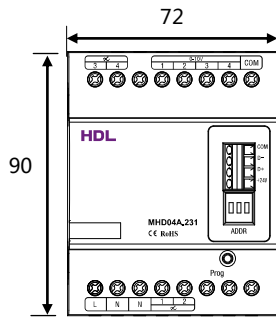
Functions

- The dimming module can switch four 0-10V dimming channels output to MOSFET tube dimming output.
- The dimming module ID supports hardware identification, and adopts dial code control;
- It also can control air conditioners, curtains etc. via modifying the configuration of software and program;
- Inner Bus communication is adopted.

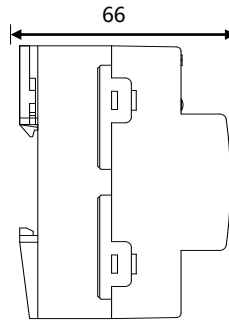
Installation Steps

- 35mm DIN rail installation, inside DB box.
- Label all cables, check and ensure there is no short circuits for the load devices.
- Connect load devices and Inner Bus cables, and ensure they are correctly connected.
- Tidy up the cables, separate the high and low voltage cables.

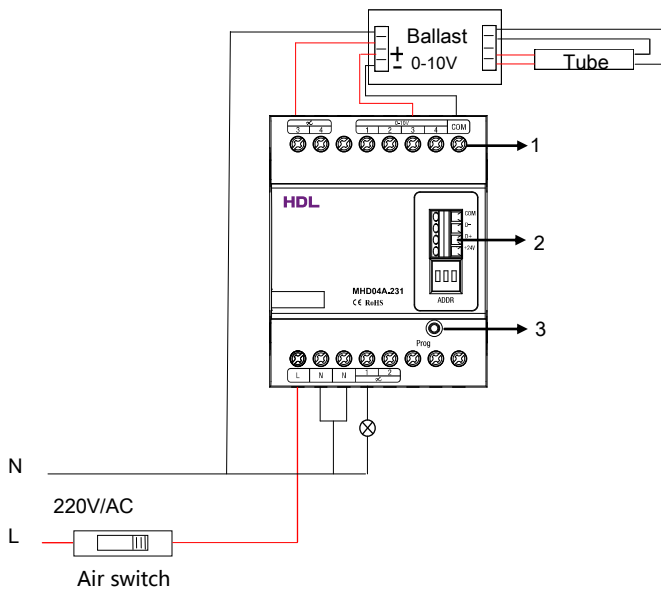
Dimensions and Wirings (Unit: mm)



Front View



Side view



- The channel connected to load devices
 - INNER Bus: HDL Inner Bus, connected to the hotel host controller.
Dial code 000: The original address of each channel is configured by software.
Dial code 001: The channel address is 1;
Dial code 010: The channel address is 6;
Dial code 011: The channel address is 11;
Dial code 100: The channel address is 16;
Dial code 101: The channel address is 21;
Dial code 110: The channel address is 26;
Dial code 111: The channel address is 31.
 - Programming button & indicator : The indicator flickers, when the dimming module runs normally. Press the programming button for 1 second, the indicator turns red, then the channel original address can be read and configured via the hotel management software. Press the button for 3 seconds, when the indicator turns red, it switches the MOS tube dimming mode to the 0-10V dimming mode; when the indicator turns green, it switches the 0-10V dimming mode to MOS tube dimming mode. Press the button once, when the indicator flickers evenly and continuously in green, the current working mode is MOS tube dimming mode; and when the indicator flickers evenly and continuously in red, the current working mode is 0-10V dimming mode.
- Note : The **HDL-MHD04A.231** Universal Dimming Module shall be used with the hotel room host controller.

Safety Precautions



WARNING

- Each channel needs to connect breaker or fuse for protection.
- The tightening torque should not exceed 0.4Nm.
- The input power cable should be 2.5mm² ~4mm².
- The load cable should be 1.5mm² ~2.5mm².
- Ensure make correct connection to Inner Bus interface, or it will damage the Inner Bus interface of this device.
- Never let the liquids get into the module, or it will damage this device.
- Do not connect AC power to Inner Bus cable, or it will damage all devices in the system.
- Avoid contact with liquids and aggressive gases.
- Ensure good ventilation.

Packing Contents

- | | |
|------------------|----|
| ■ Datasheet | x1 |
| ■ HDL-MHD04A.231 | x1 |

Contact Us

Need help or advice? Please visit www.hdlautomation.com, or Contact us via: support@hdlchina.com.cn.